



Outside Dimensions:
75.5"H x 35"W x 31.5"D

Inside Dimensions: 65"H x 28"W x 20"D

Storage Capacity: 21.1 cubic feet

Weight: 3230 lbs.

Shelves: 5 (adjustable)

Construction:

High density composite barrier between heavy steel walls

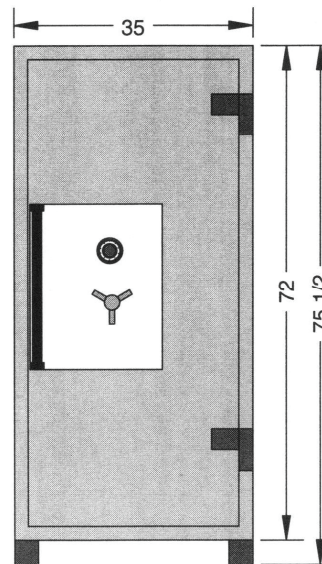
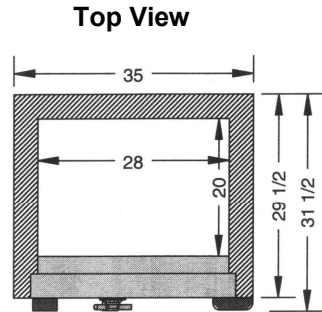
Primary lock:

Self-programming, pushbutton digital lock so exhibitor can program a confidential combination. Automatically locks when door is closed.

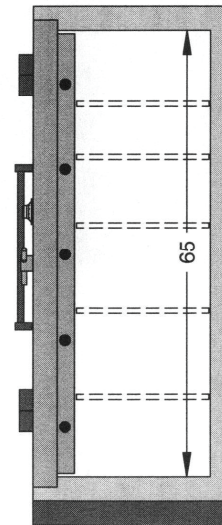
Secondary lock: Padlock provides after-hours show security personnel with quick visual confirmation that safe is locked.

Insurance Coverage: Typical coverage in the AGTA Show high security environment is \$3 million*

* Check with your insurer for your individual coverage qualification

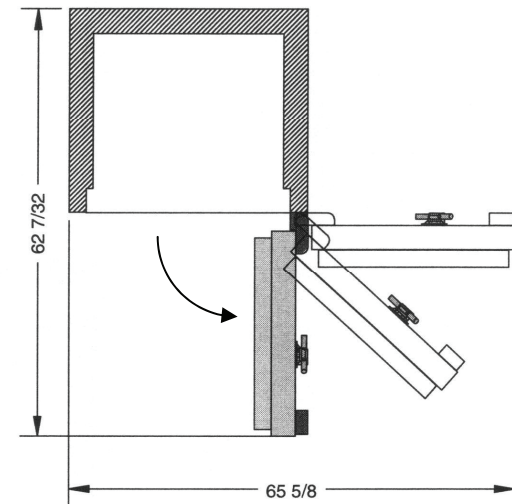


Front View



Side View

Door Swing



MODEL 6528
UL TL30
High Security Burglary Safe

When designing your exhibit, plan a safe footprint of 77 1/2" H x 37" W x 33 1/2" D to allow sufficient space for maneuvering of the safe during installation